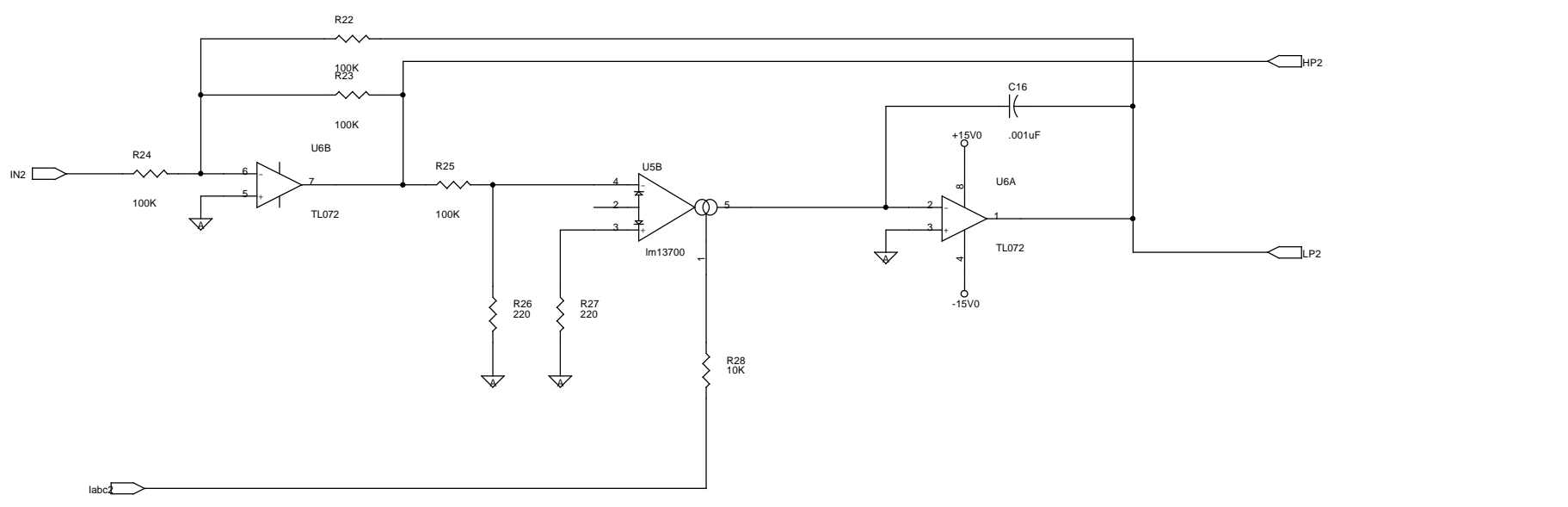
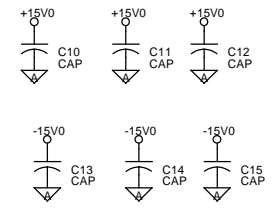
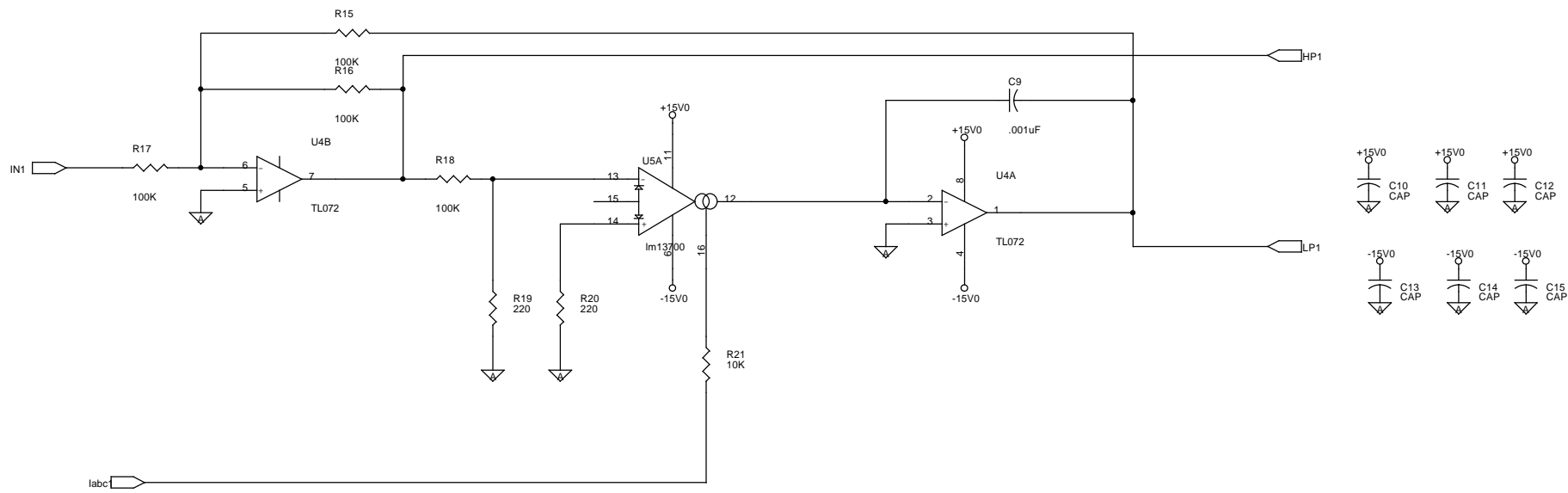


<b>ZACA DESIGN</b>		
Title		
<b>FOUR POLE VOLTAGE CONTROLLED FILTER</b>		
Size	Document Number	Rev
	<b>100-1052</b>	<b>A</b>
Date:	Saturday, July 07, 2007	Sheet 1 of 5

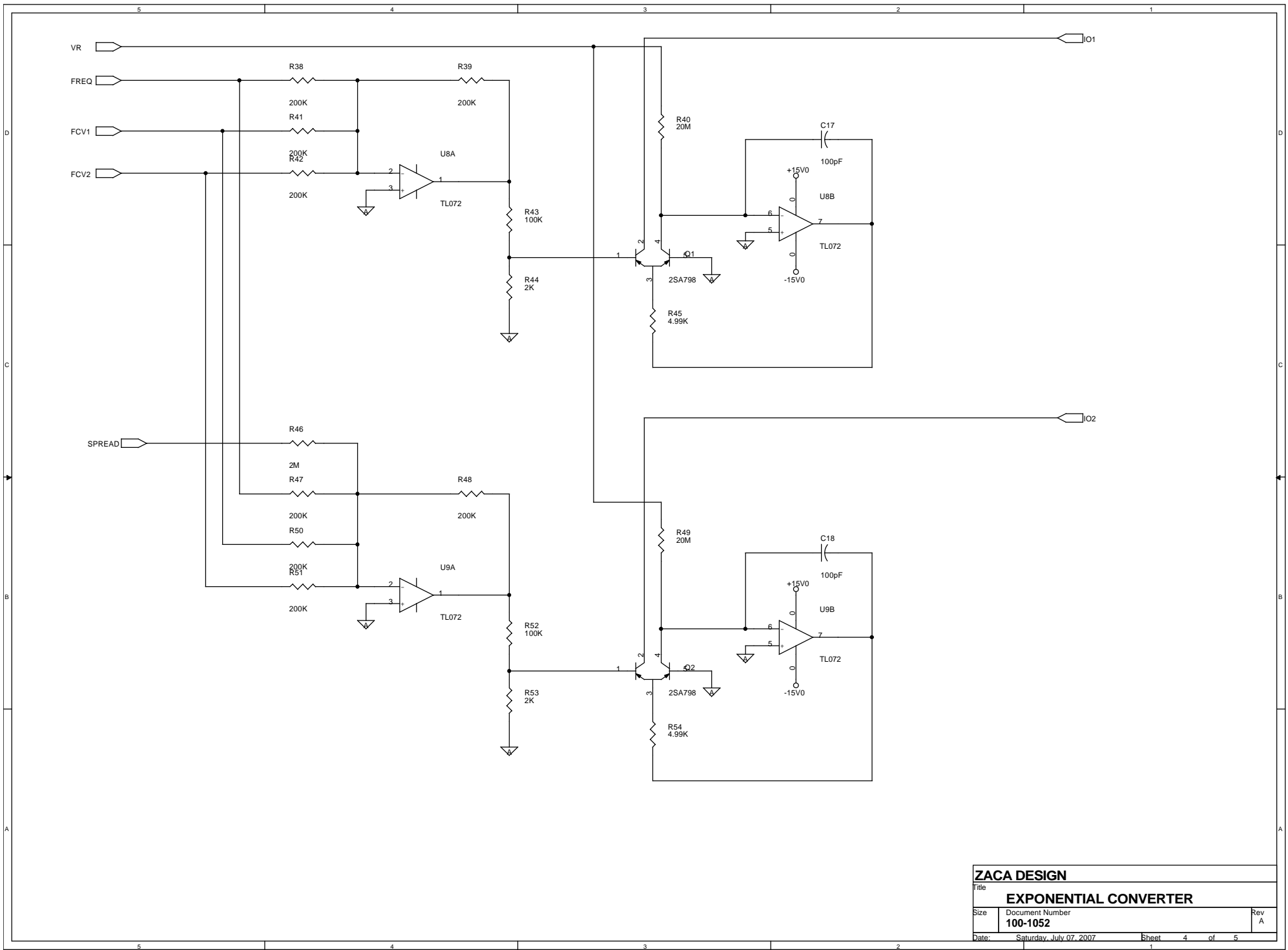
COPYRIGHT (C) 2007 JAMES PATCHELL



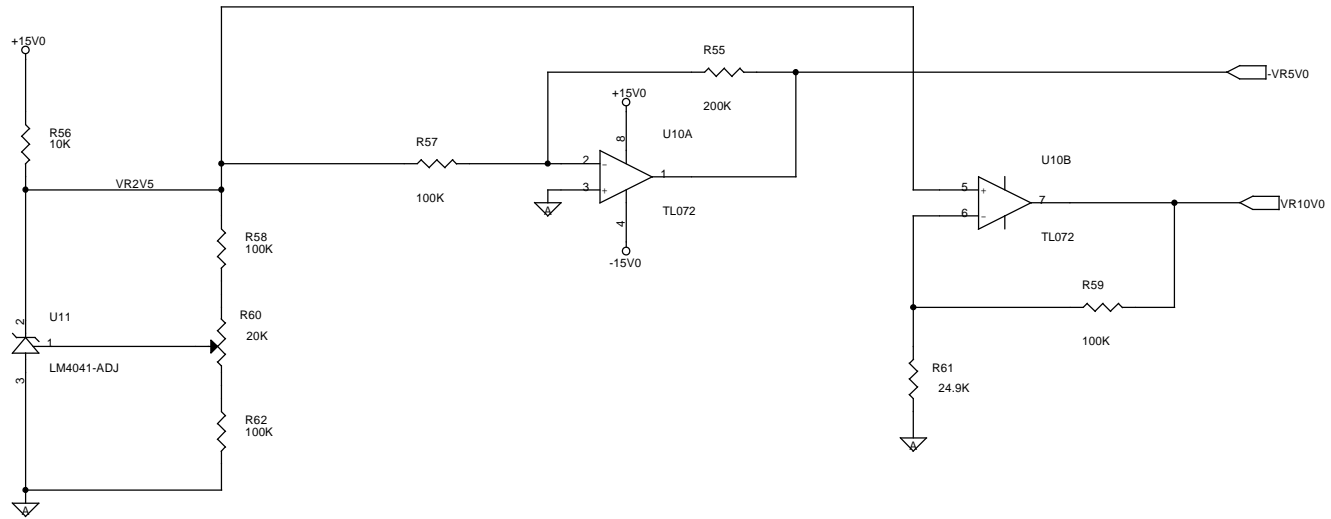


DRANN BY JIM PATCHELL

<b>ZACA DESIGN</b>		
Title		
<b>FILTER SECTIONS 2</b>		
Size	Document Number	Rev
	<b>100-1052</b>	<b>A</b>
Date:	Saturday, July 07, 2007	Sheet 3 of 5



<b>ZACA DESIGN</b>		
Title		
<b>EXPONENTIAL CONVERTER</b>		
Size	Document Number	Rev
	<b>100-1052</b>	<b>A</b>
Date:	Saturday, July 07, 2007	Sheet 4 of 5



<b>ZACA DESIGN</b>		
Title		
<b>VOLTAGE REFERENCES</b>		
Size	Document Number	Rev
	<b>100-1052</b>	<b>A</b>
Date:	Saturday, July 07, 2007	Sheet 5 of 5