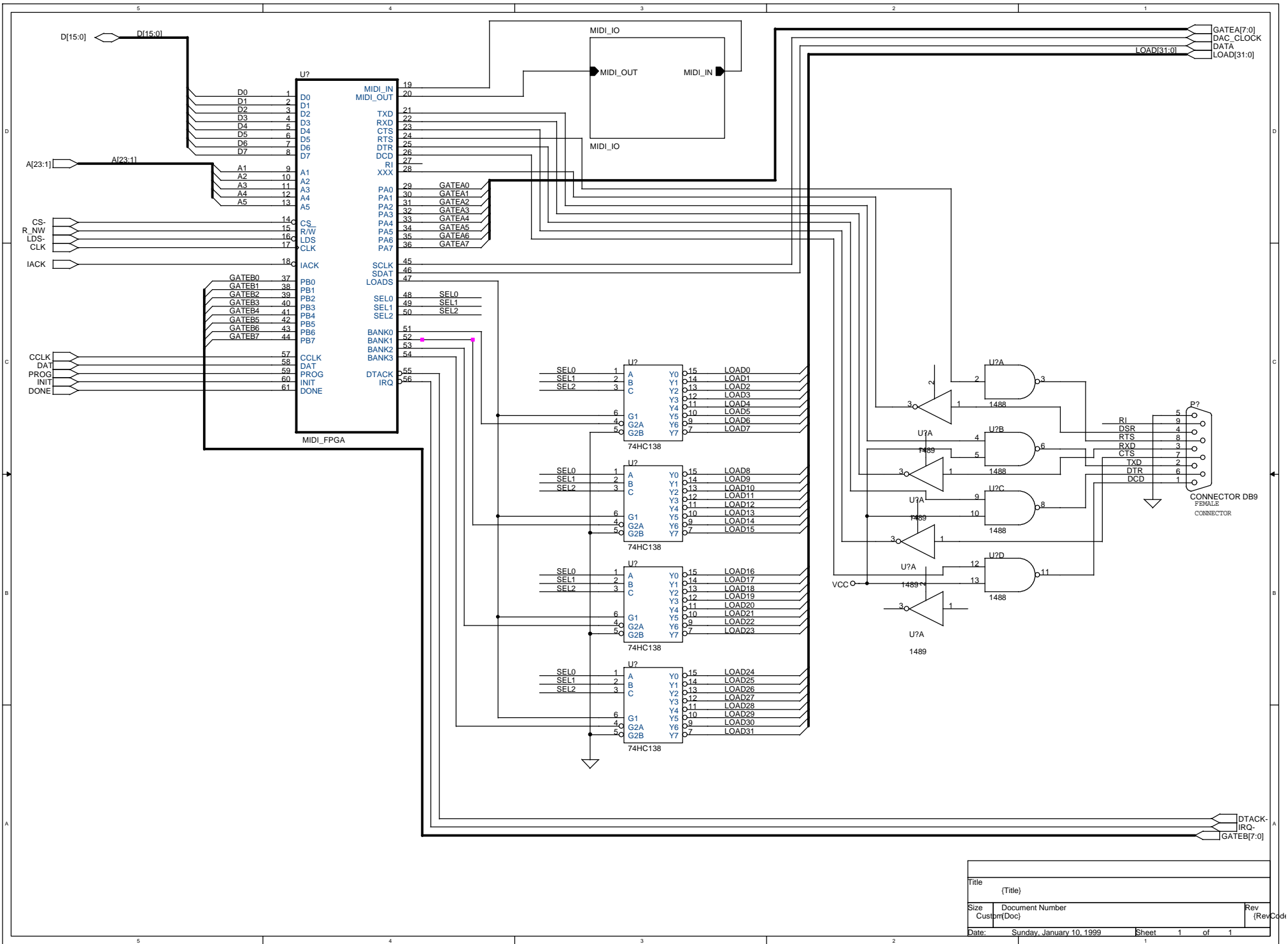
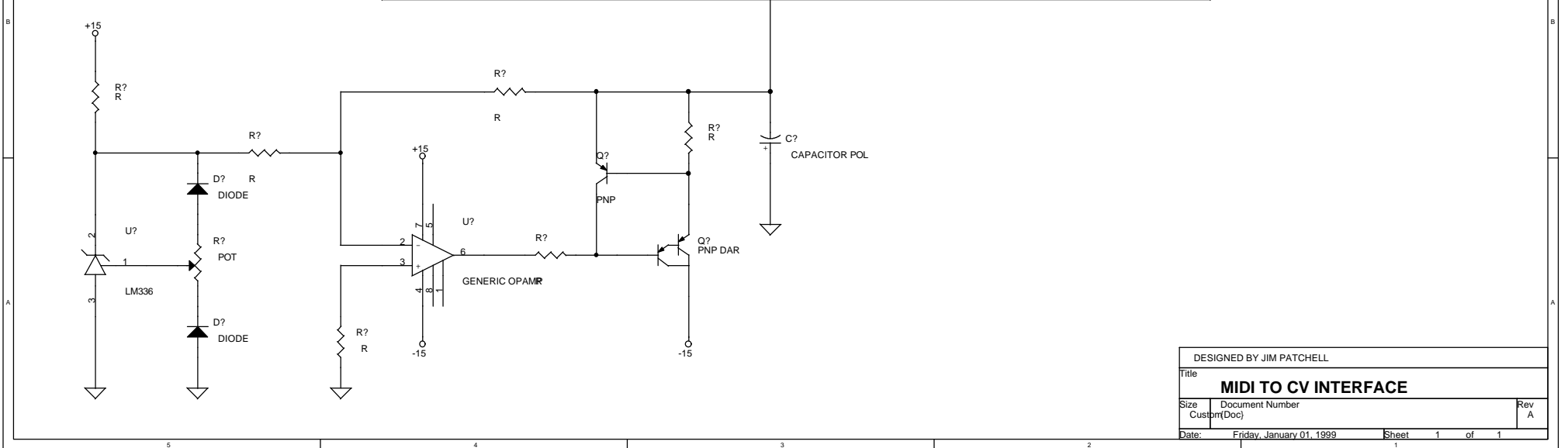
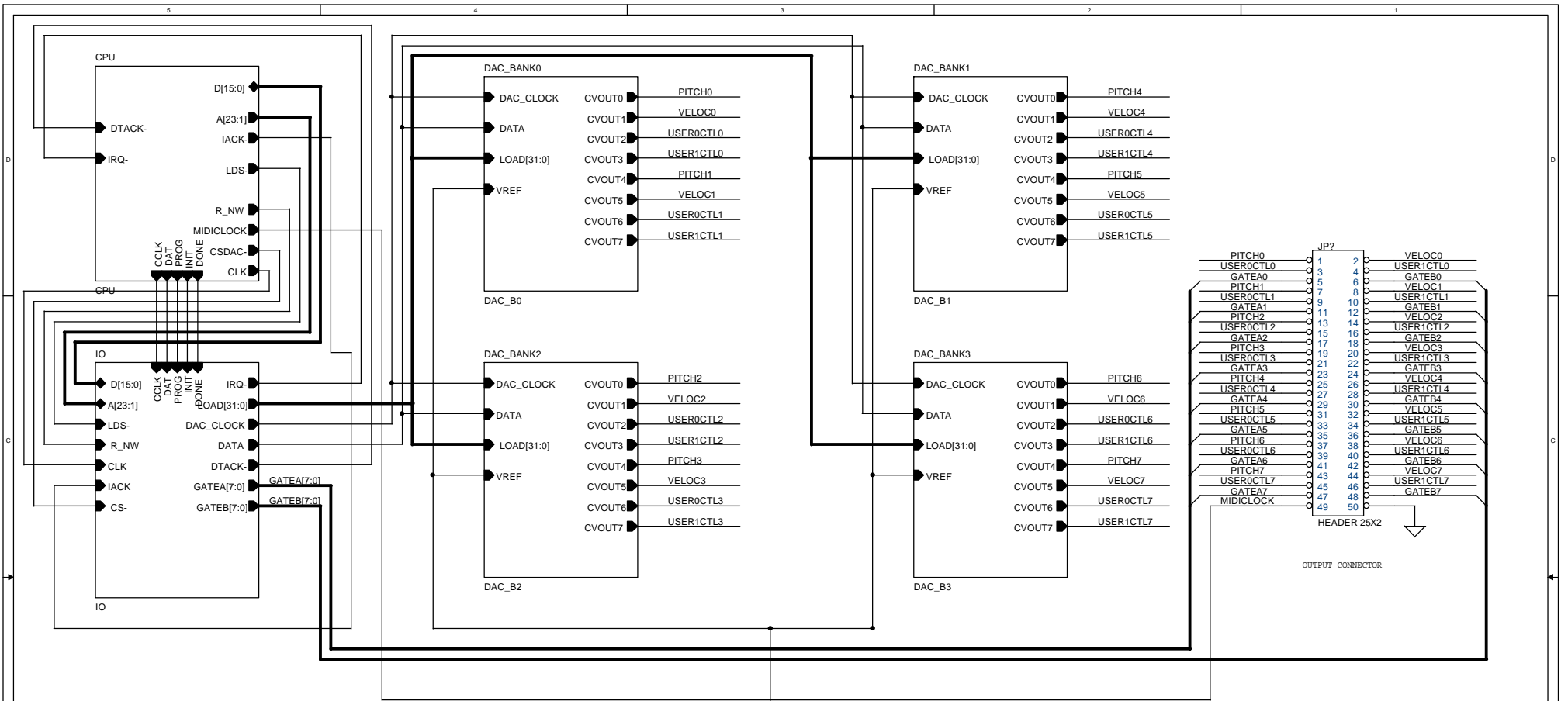


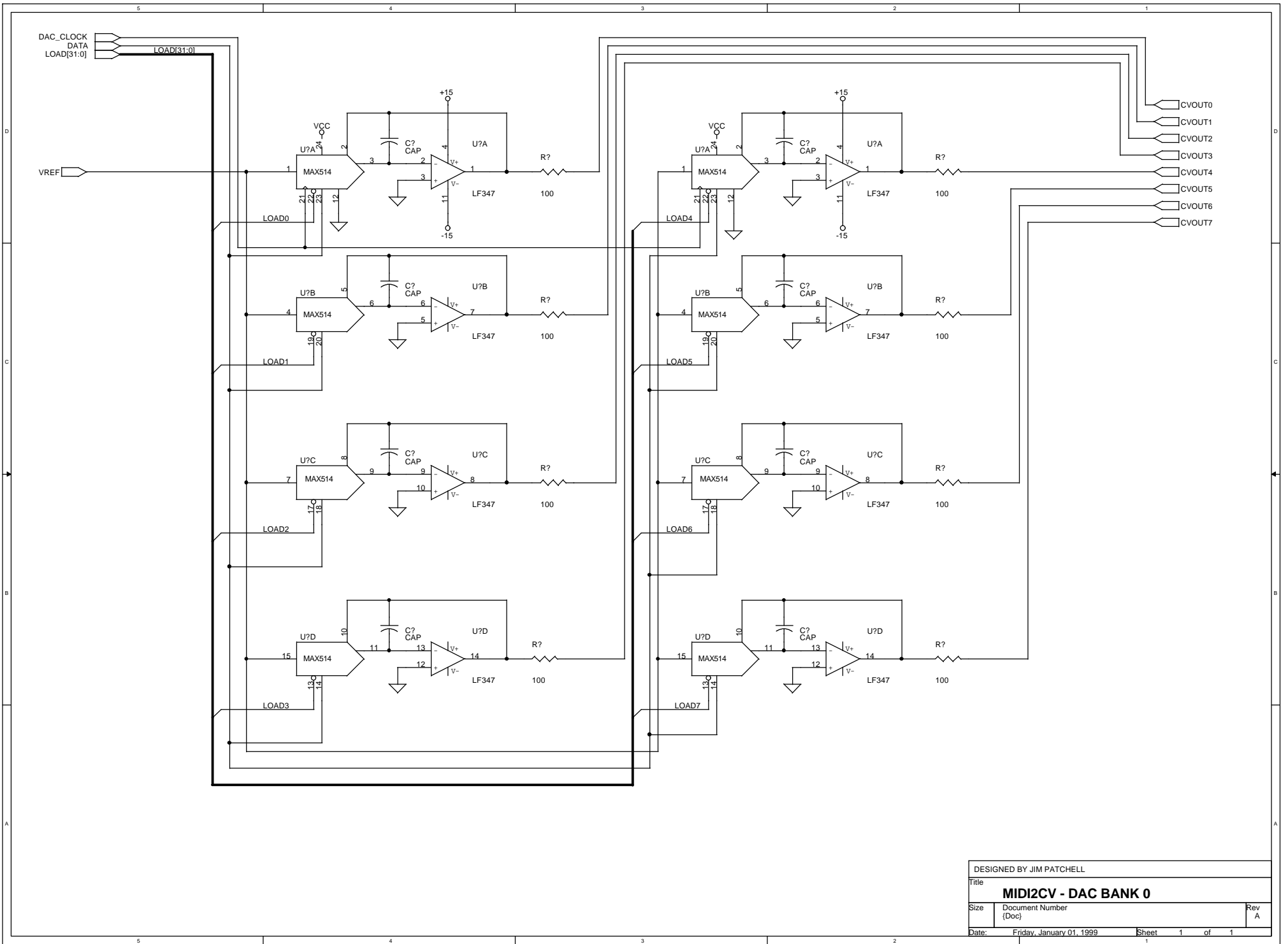
Title		
MIDI TO CV - CPU		
Size	Document Number	Rev
(Doc)		A
Date:	Friday, January 01, 1999	Sheet 1 of 1



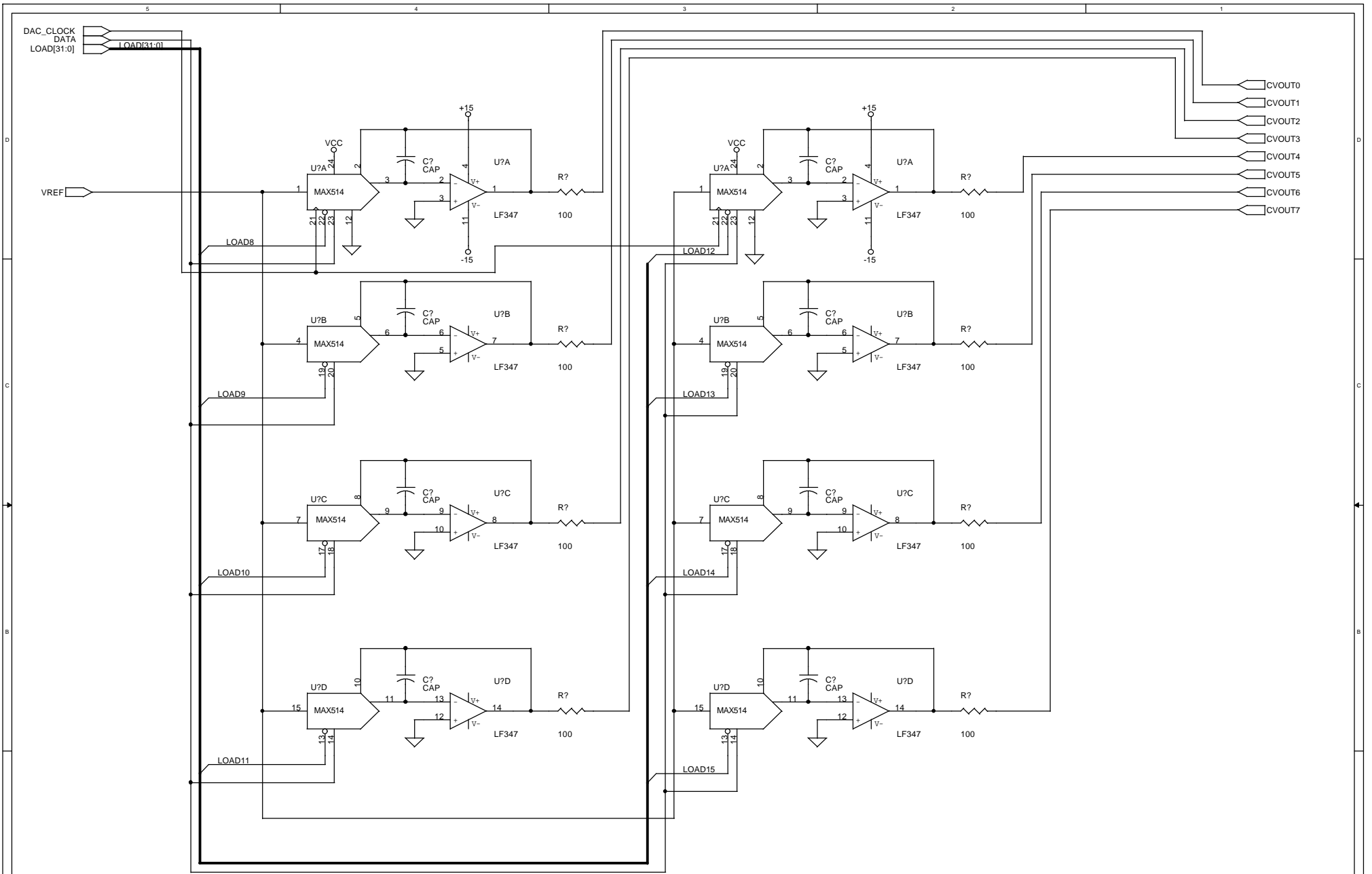
Title (Title)		
Size Custom	Document Number (Doc)	Rev (RevCcd)
Date: Sunday, January 10, 1999	Sheet 1	of 1



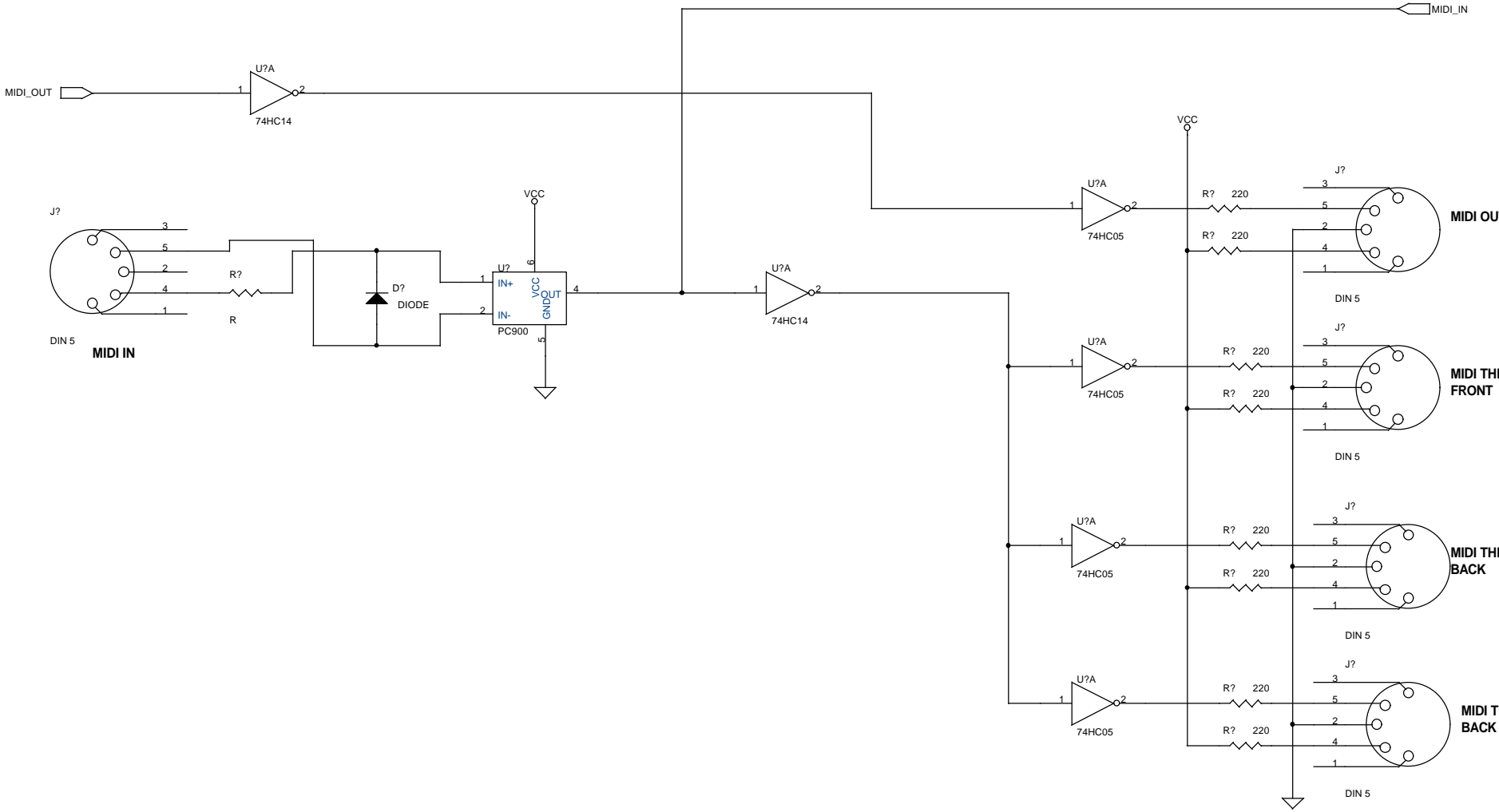
DESIGNED BY JIM PATCHELL			
Title MIDI TO CV INTERFACE			
Size	Document Number		Rev A
Custom(Doc)			
Date:	Friday, January 01, 1999	Sheet	1 of 1



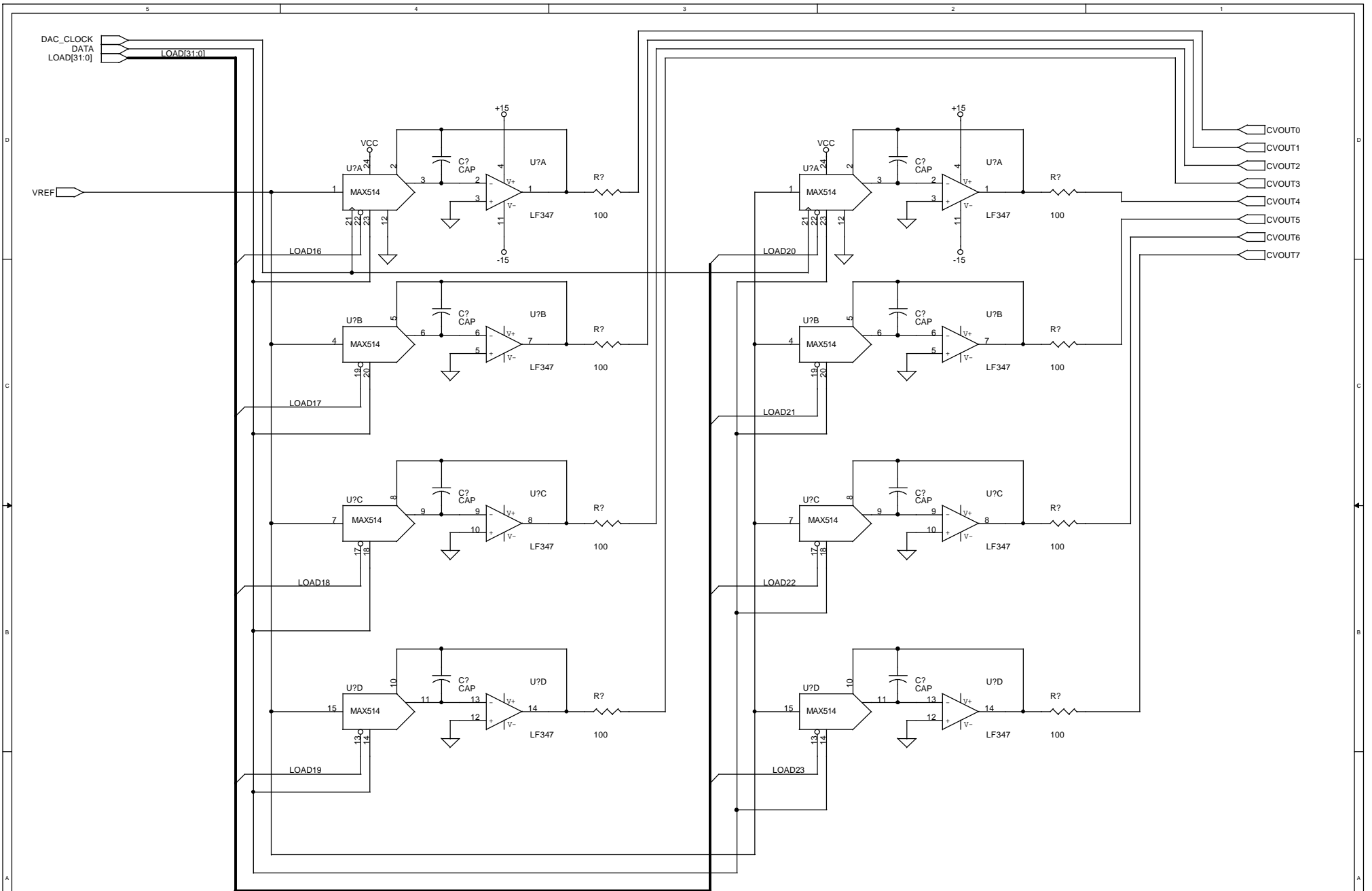
DESIGNED BY JIM PATCHELL			
Title			
MIDI2CV - DAC BANK 0			
Size	Document Number	Rev	
(Doc)		A	
Date:	Friday, January 01, 1999	Sheet	1 of 1



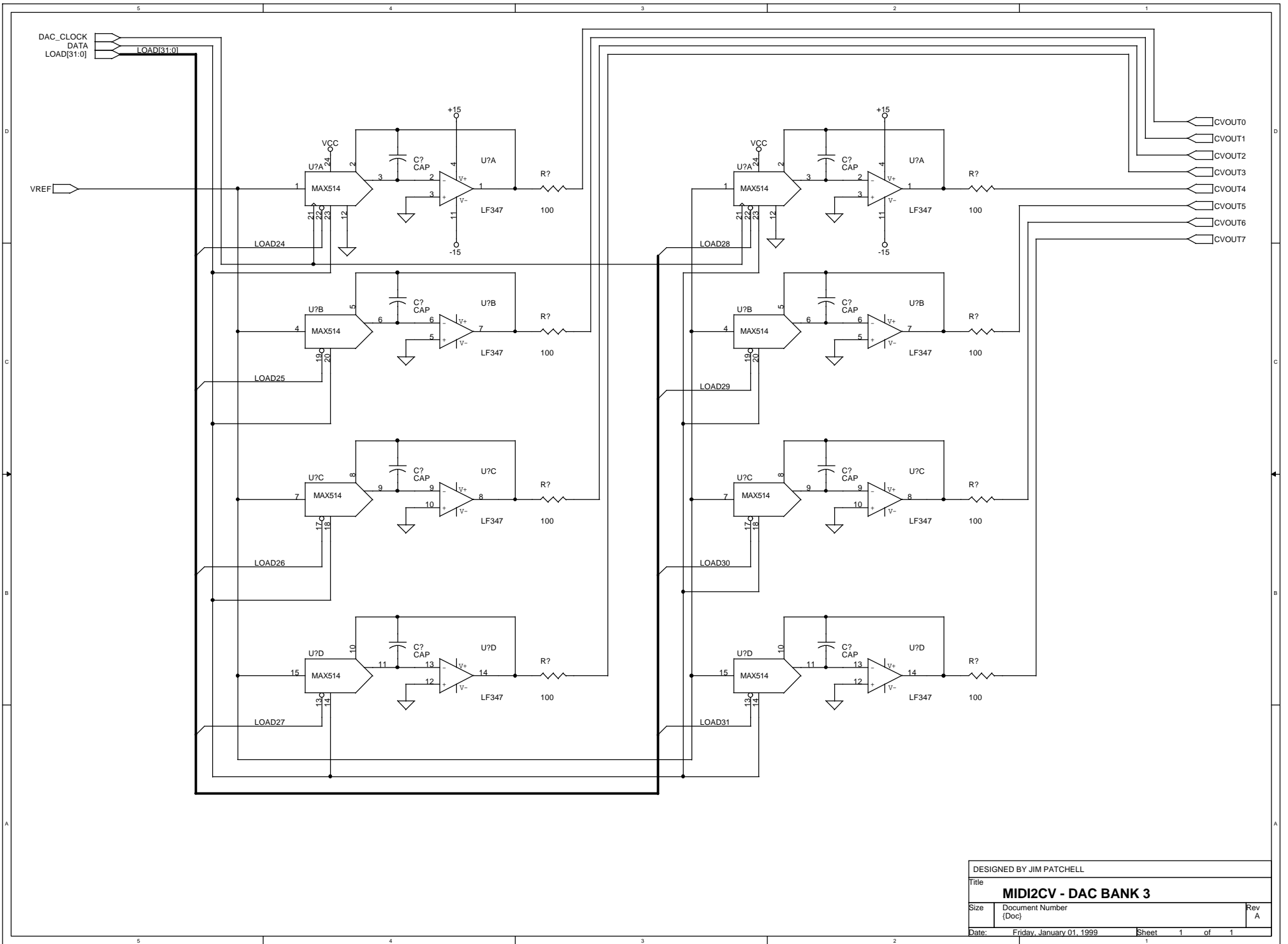
DESIGNED BY JIM PATCHELL			
Title			
MIDI2CV - DAC BANK 1			
Size	Document Number	Rev	
Custom(Doc)		A	
Date:	Friday, January 01, 1999	Sheet	1 of 1



DESIGNED BY JIM PACHELL		
Title		
MIDI2CV - MIDI PORTS		
Size	Document Number	Rev
(Doc)		A
Date:	Friday, January 01, 1999	Sheet 1 of 1



DESIGNED BY JIM PATCHELL		
Title		
MIDI2CV - DAC BANK 2		
Size	Document Number	Rev
	(Doc)	A
Date:	Friday, January 01, 1999	Sheet 1 of 1



DESIGNED BY JIM PATCHELL		
Title MIDI2CV - DAC BANK 3		
Size	Document Number (Doc)	Rev A
Date:	Friday, January 01, 1999	Sheet 1 of 1